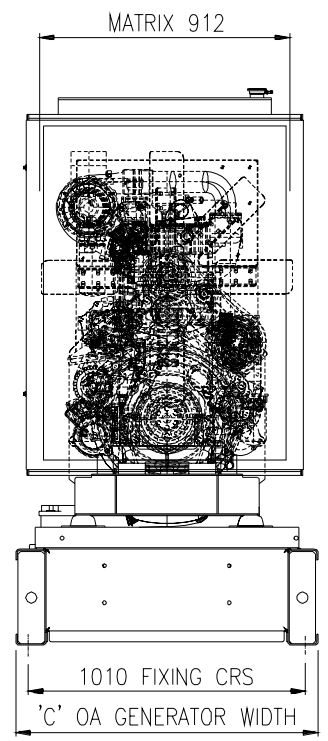
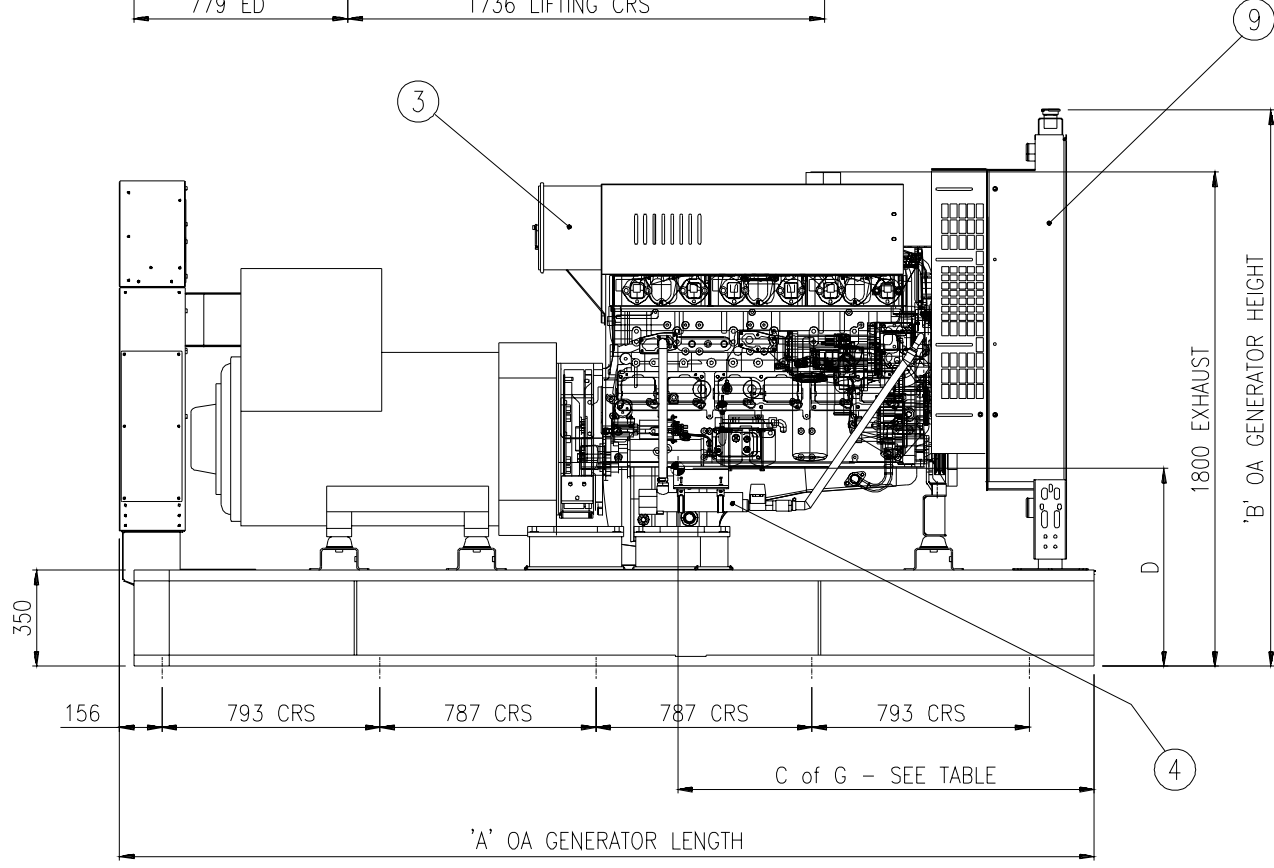
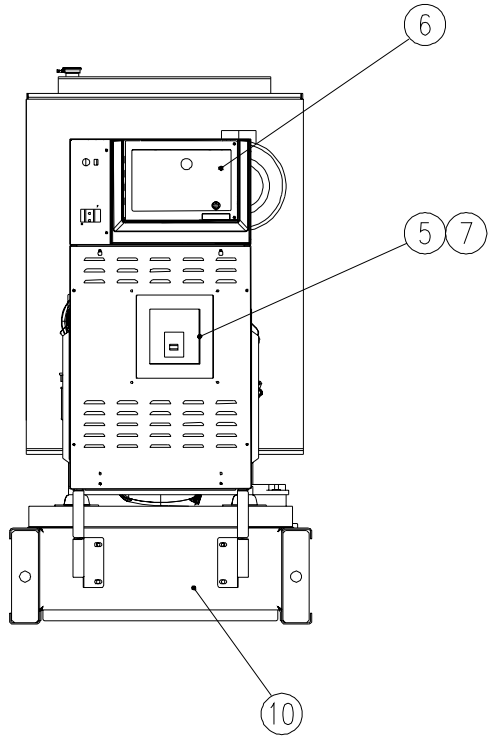
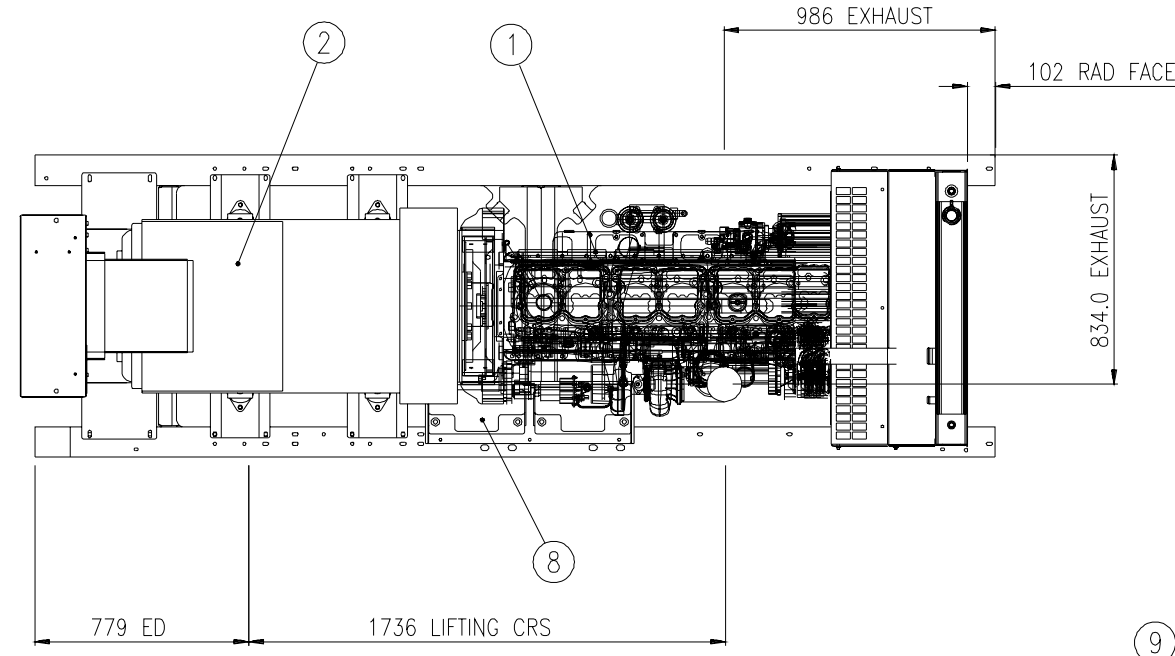


REV. No.	LTR	No.	REVISION	ZONE	DRN	CHKD	APPROVED	DATE
ERK10296	A	1	PRODUCTION RELEASE		JUL	AA	M BARCENT	13/07/2004
ERK10305	B	1	OPEN SET HEIGHTS MODIFIED		A13	AA	M BARCENT	25/11/2004
ERK10810	C	1	EXHAUST AND MATRIX DIMS ADDED		BS	AW	J BENNETT	18/03/2005

INSTALLATION NOTES:

- BEDFRAME FIXING POINTS REQUIRE AN M20 FASTENING ARRANGEMENT
- PLEASE REFER TO MANUAL FOR FOUR-POINT LIFTING INSTRUCTIONS
- TERMS AND CONDITIONS CAN BE FOUND AT THE FOLLOWING:-  
[www.cumminspower.com/terms](http://www.cumminspower.com/terms)



MODEL	ENGINE	DRY WEIGHT (kg)	WET WEIGHT (kg)	WET WEIGHT WITH FUEL(kg)	OIL SUMP CAPACITY (L)	DIMENSIONS (mm)				C of G (mm)
						A	B	C	D	
C300D5 & C275D6	NT855G6	2780	2970	3668	14	3549	2078	1100	683	1569
C350D5 & C300D6	NT855G6	2860	3050	3748	14	3549	2078	1100	685	1590
C400D5 & C350D6	NTA855G4 & NTA855G3	3037	3227	3925	14	3549	2078	1100	690	1600
C440D5 & C400D6	NTA855G7 & NTA855G5	3157	3347	4045	14	3549	2115	1100	729	1602

QTY	ITEM	PART No.	DWG SIZE	DESCRIPTION OR MATERIAL
1	10	REF	-	SKID
1	9	REF	-	RADIATOR - 50 DEG C
2	8	REF	-	BATTERIES
1	7	REF	-	CIRCUIT BREAKER
1	6	REF	-	CONTROLLER PCC2100
1	5	REF	-	CONTROL HOUSING
1	4	REF	-	ENGINE COOLANT HEATER
1	3	REF	-	AIR CLEANER - STANDBY
1	2	REF	-	ALTERNATOR - HC5
1	1	REF	-	ENGINE - CUMMINS

TOLERANCE UNLESS OTHERWISE SPECIFIED	SHALL TO -	DATE	13/07/2004
X .XX = ±.3	DRAWN	J JONES	
.XX = ±.5	CHECKED	A ANDREWS	12/10/2004
0.09-4.99 = +0.15/-0.08	APPROVED	M BARCENT	12/10/2004
5.00-9.99 = +0.20/-0.10	FOR INTERPRETATION OF DIMENSIONS AND TOLERANCES, SEE 3000 Part 2	FIRST USED ON	C300
10.00-17.99 = +0.25/-0.13			PGK
18.00-24.99 = +0.30/-0.15			0500-4092

AutoCAD DO NOT SCALE PRINT ANGLE TOL. ±1.0° SCALE: 1:12

Cummins Power Generation  
Columbus Avenue, Manston, Ramsgate  
Kent, CT12 5BF, England, UK

GENSET OUTLINE

SHEET 12 OF 21